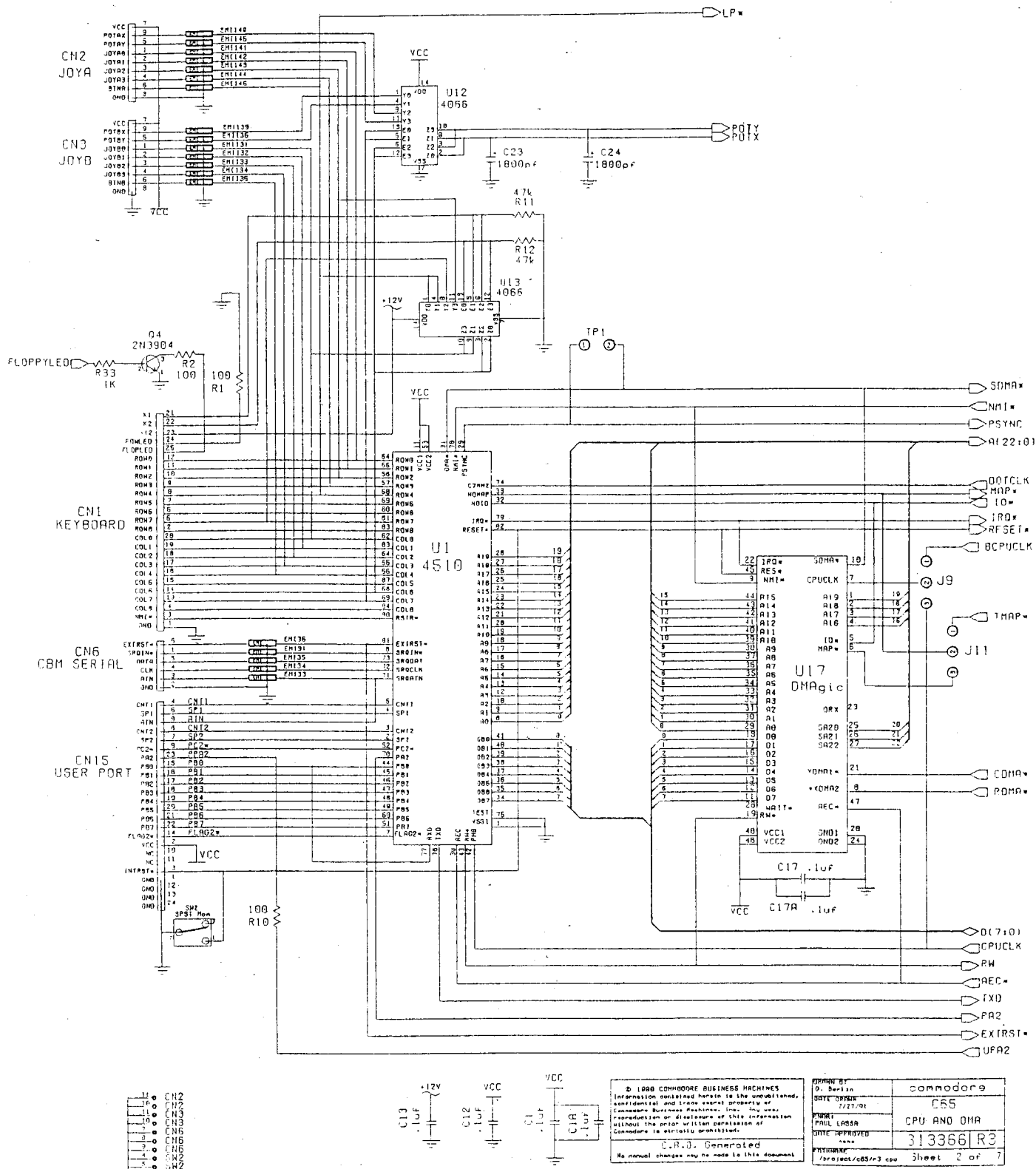
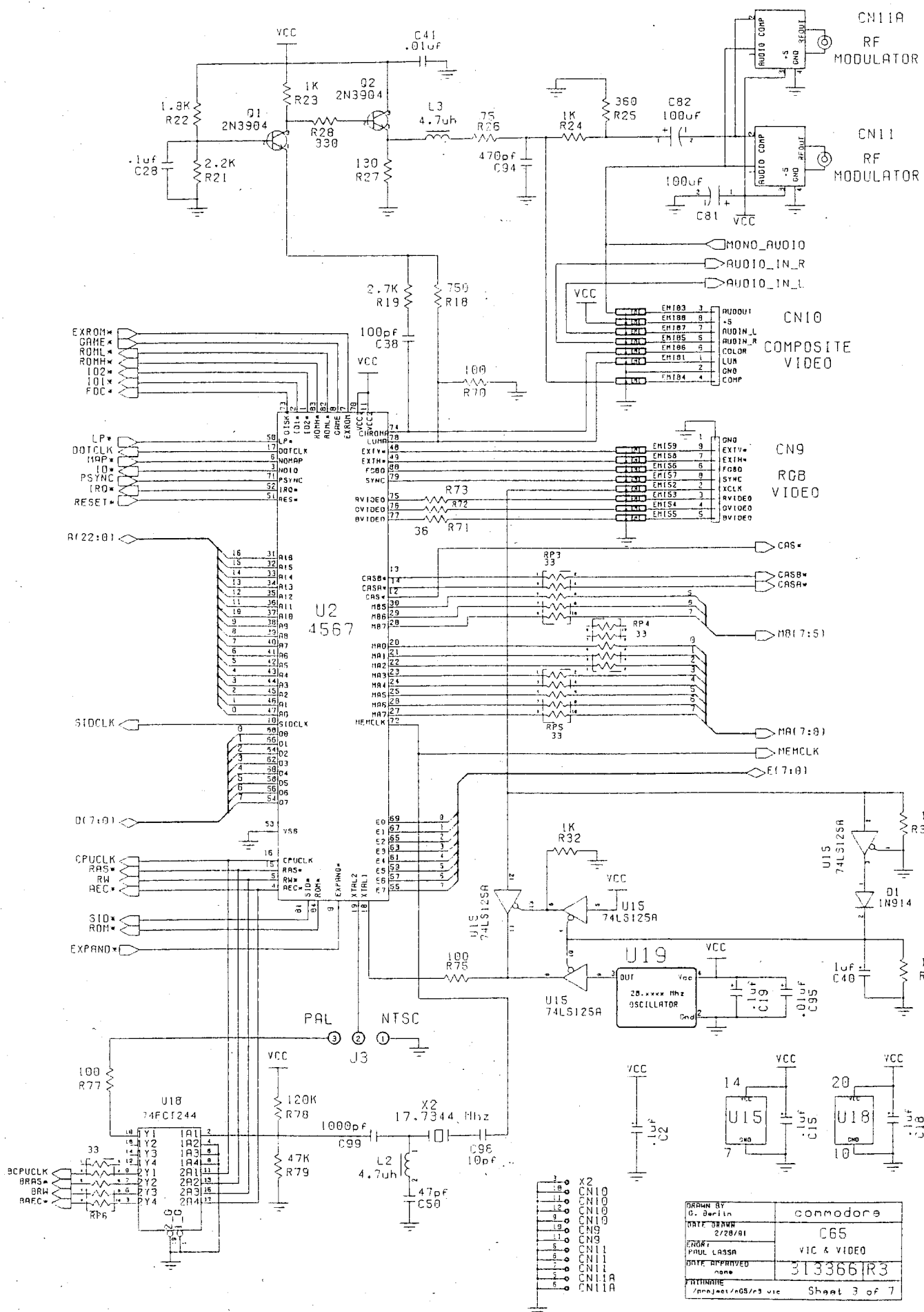


# C65 R5

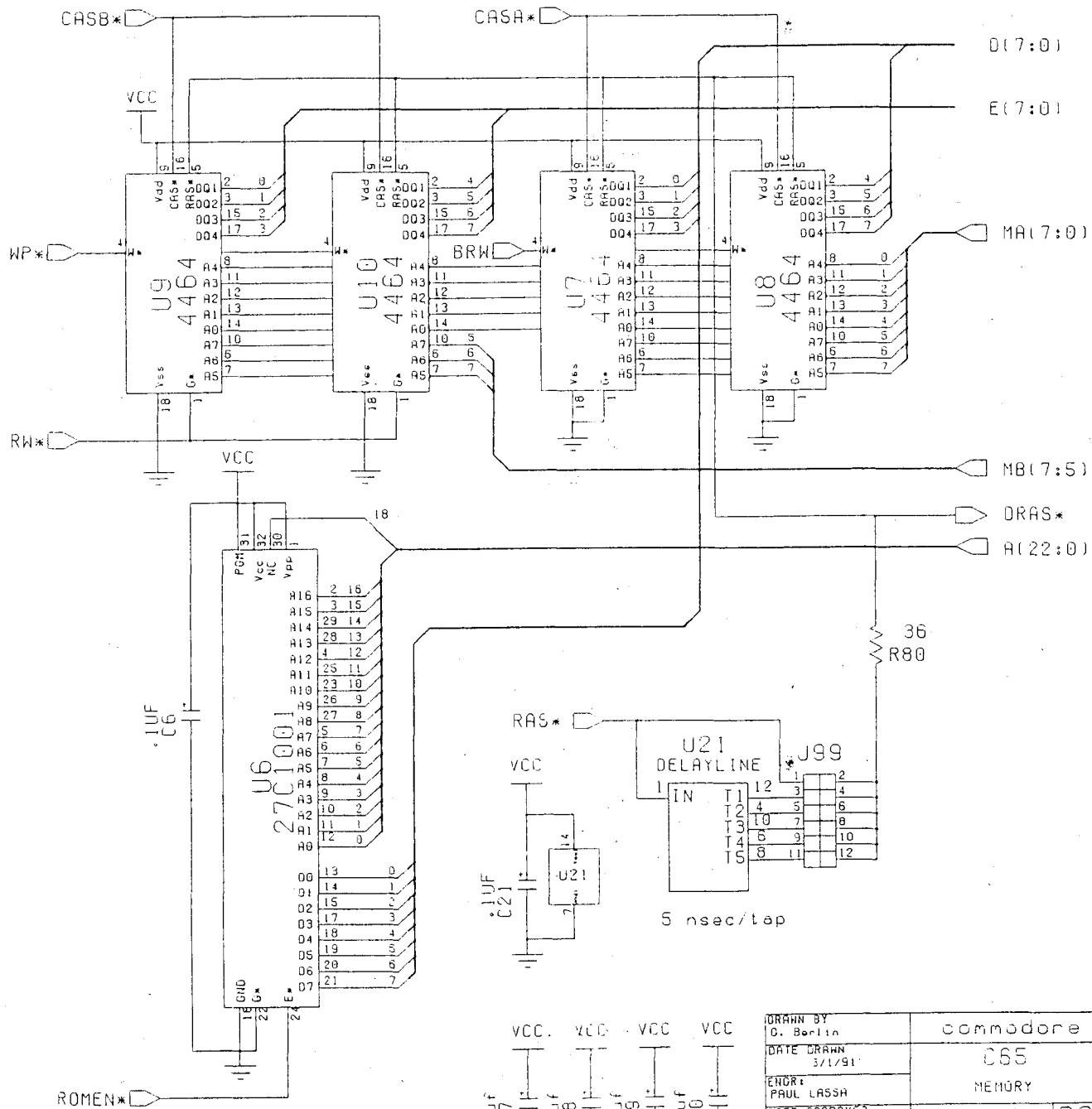


© 1988 COMMODORE BUSINESS MACHINES  
 Information contained herein is the unpublished,  
 confidential and trade secret property of  
 Commodore Business Machines, Inc. Any use,  
 reproduction or disclosure of this information  
 without the prior written permission of  
 Commodore is strictly prohibited.  
 C.R.D. Generated  
 No manual changes may be made to this document.

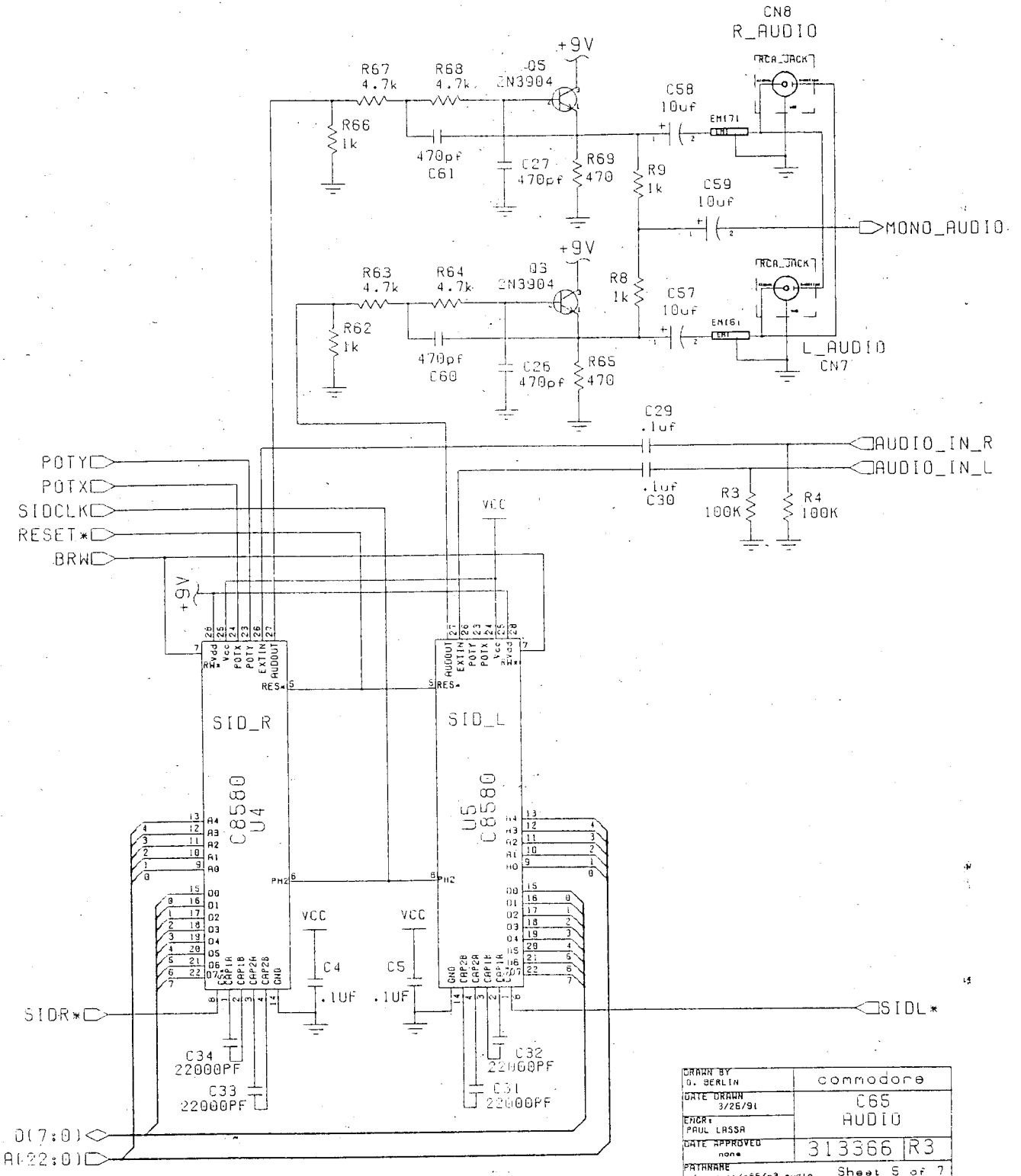
DESIGNED BY	D. Berlin	COMMODORE
DATE DESIGNED	7/27/88	C65
DESIGNED BY	PAUL LABSA	CPU AND DMA
DATE APPROVED		3133661R3
FILENAME	/proj/c65r3.cpu	Sheet 2 of 7



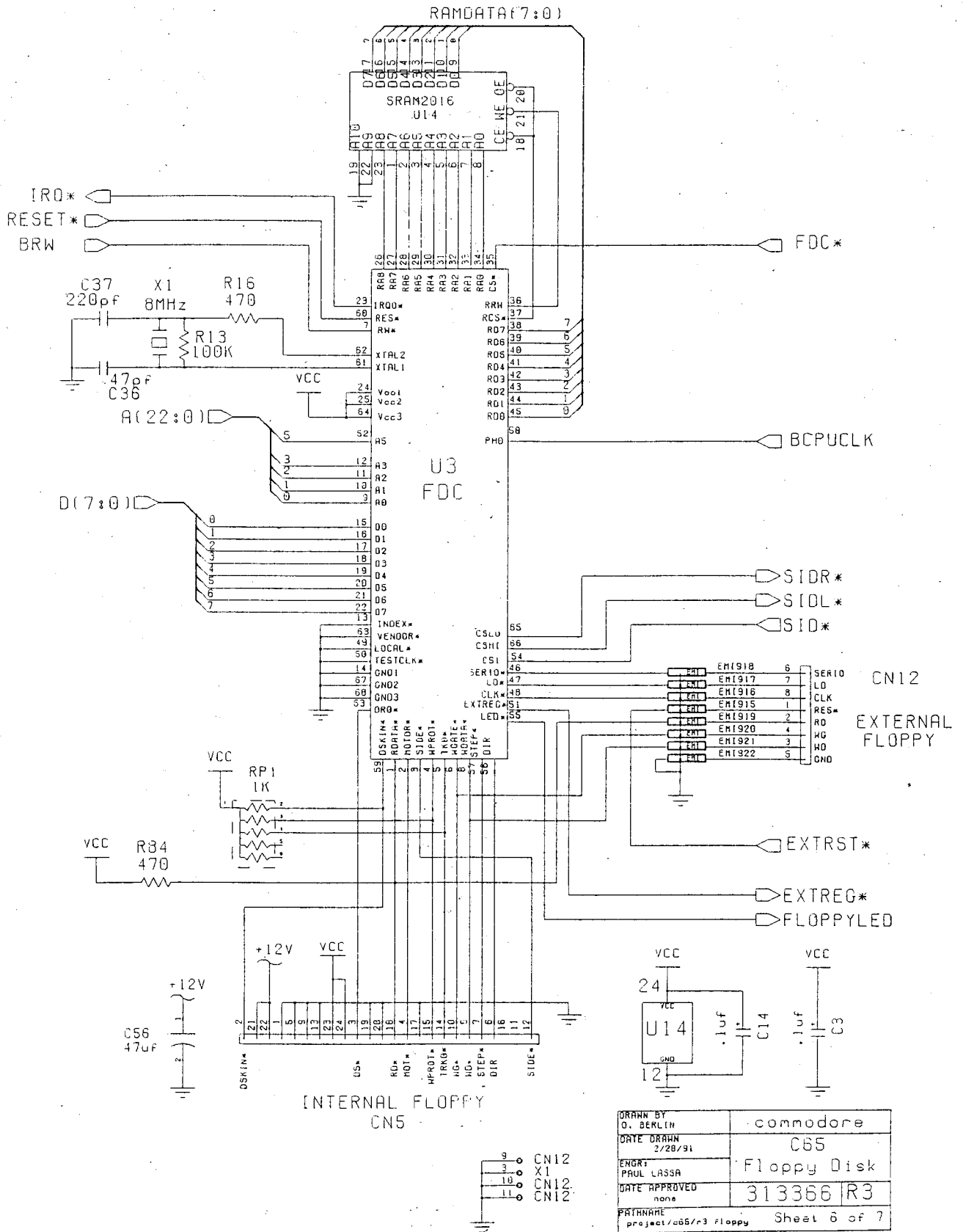
DRAWN BY	G. Berlin	comodore
DATE DRAWN	2/28/91	C65
PROJ	PAUL LASSA	VIC & VIDEO
DATE APPROVED	none	3133661R3
ATTN		
/proj/ast/05/r3 vic		Sheet 3 of 7



DRAWN BY G. Berlin		Commodore	
DATE DRAWN 3/1/91		C65	
ENGR: PAUL LASSA		MEMORY	
DATE APPROVED none		313366 R3	
PATHNAME /project/c65/r3 memory		Sheet 4 of 7	



DRAWN BY	G. BERLIN	comodore
DATE DRAWN	3/26/91	C65
ENGR	PAUL LASSA	AUDIO
DATE APPROVED	none	313366 R3
PATHNAME	/project/c65/r3 audio	Sheet 5 of 7



DRAWN BY	Q. BERLIN	commodore
DATE DRAWN	2/28/91	C65
ENGR:	PAUL LASSA	Floppy Disk
DATE APPROVED	none	313366 R3
PATHNAME	project/c65/r3 floppy	Sheet 6 of 7

